

TECHNICAL DESCRIPTION

This light sensor provides a 0-10V DC signal output according to the light level.

Depending on the application there are 4 different range settings :

- 3...300 lux
- 30...3.000 lux
- 300...30.000 lux
- 600...60.0000 lux

Application :

- Control sunscreens
- Switch lights
- Light-dependent control



TECHNICAL DATA

Input

Supply voltage 24 V DC ± 10%

Output

Output voltage 0-10 V

Specifications

Lux ranges: 3...300 lux, 30...3K lux

300...30K lux, 600...60K lux

Protection class IP 54

Connection Screw terminals

Distance from Control Max. 100 m

Cable: Class I Control 3 x 1,5 mm²

Cable: Class II Control 0,6 mm

Ambient temperature -40°C...+50°C

RANGE SETTINGS



MODE **A** : 3 – 300 lux --- night



MODE **B** : 30 – 3.000 lux --- evening

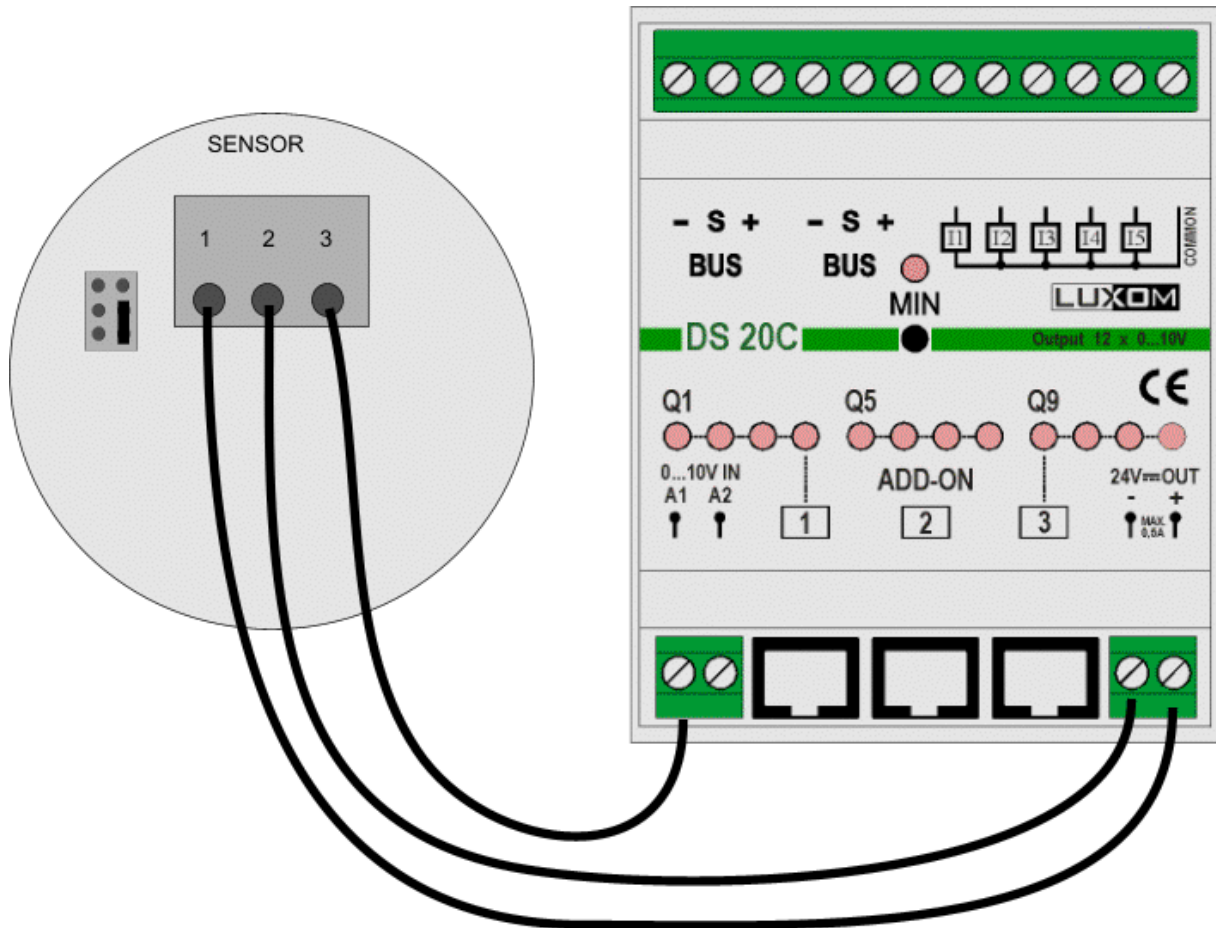


MODE **C** : 300 – 30.000 lux --- day



MODE **D** : 600 – 60.000 lux --- sun

WIRING DIAGRAM



LIGHT LEVELS

| | |
|-------------|----------|
| 15...20 lux | Dusk |
| 2.000 lux | Daylight |
| >20.000 lux | Sunlight |

Lightlevel according to application :

| | |
|-----------|--|
| 25 lux | Minimum for outdoor lights |
| 50 lux | Parking and garden lights |
| 150 lux | Storage rooms and passages |
| 200 lux | Minimum light level for manual labor |
| 500 lux | Offices and stores |
| 1.500 lux | For precision work and operating machinery |