

DS806A

DMX RGB LED DIMMER
3CH

www.luxom.be

FUNCTIONAL DETAILS OUTPUT

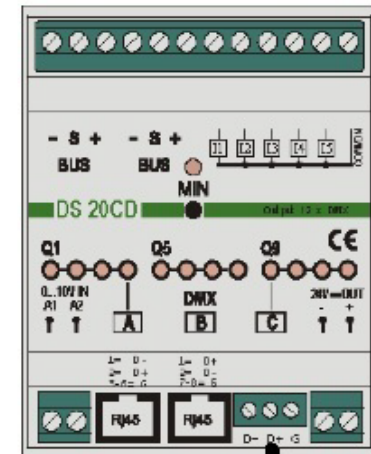
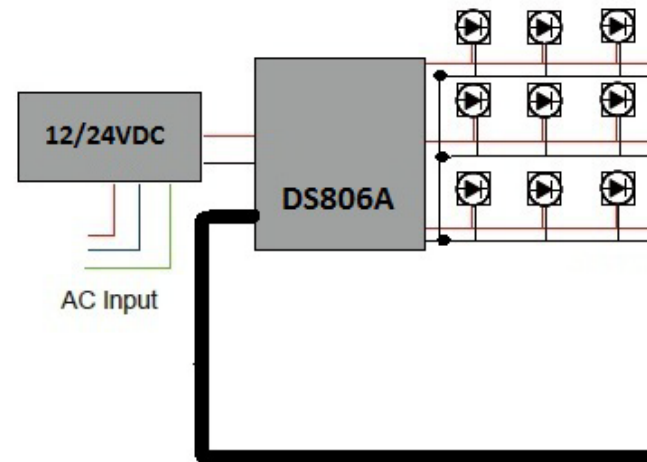
Number of outputs	3
Output type	Dimmable
Output	RGB
Power	3 x 5A
Dimming range	0-100%

TECHNICAL DESCRIPTION

Power supply	12/24VDC
Installation	Wall mount
Input	DMX start address via dipswitch

GENERAL

Warranty	2 years on exchange
Operational temperature	0 - 40° C
Dimensions LxWxH	153(L) x 41(W) x 32(H) mm
Weight	220g



- Dimmer with 3 outputs: can be controlled with the DS20CD 12 channel dim controller.