

# DS807A

DMX CONSTANT LED  
DIMMER DRIVER 4CH

www.luxom.be

## FUNCTIONAL DETAILS OUTPUT

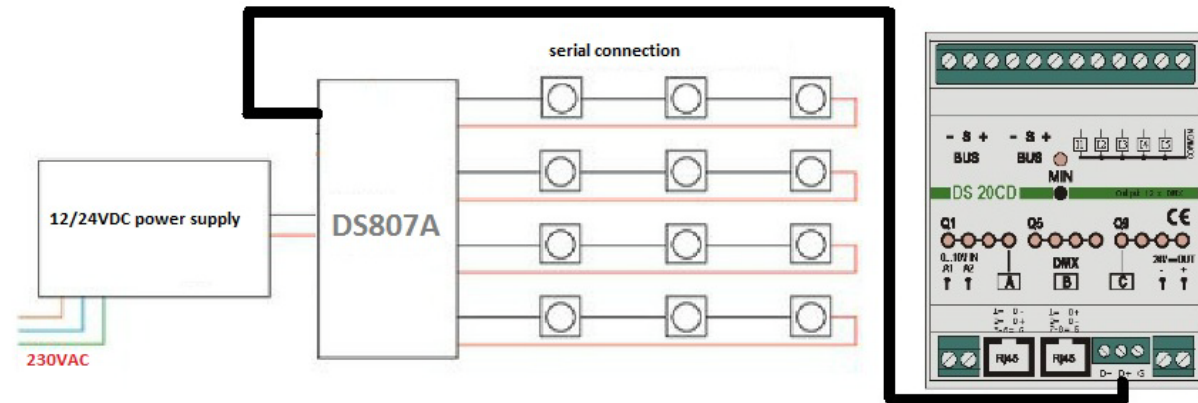
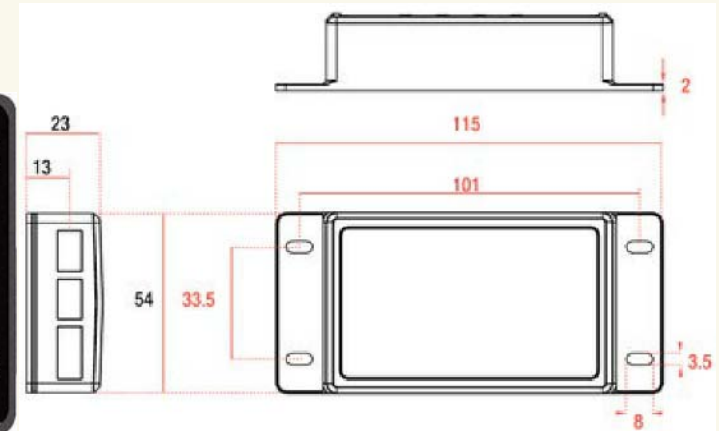
Number of outputs	4
Output type	Dimmable
Output	12V/350mA: 3x1W 12V/700mA 24V/350mA 24V/700mA
Power	6A
Dimming range	0-100%

## TECHNICAL DESCRIPTION

Power supply	12/24VDC
Installation	Wall mount
Input	DMX start address via dipswitch

## GENERAL

Warranty	2 years on exchange
Operational temperature	0 - 40° C
Dimensions LxWxH	115(L) x 54(B) x 23 (H) mm
Weight	150g



- Dimmer with 4 outputs: can be controlled with the DS20CD 12 channel dim controller.