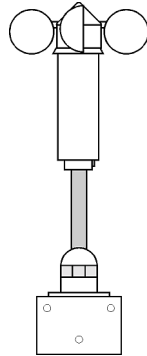




LU.0101

Windspeed sensor with
wall bracket



TECHNICAL DESCRIPTION

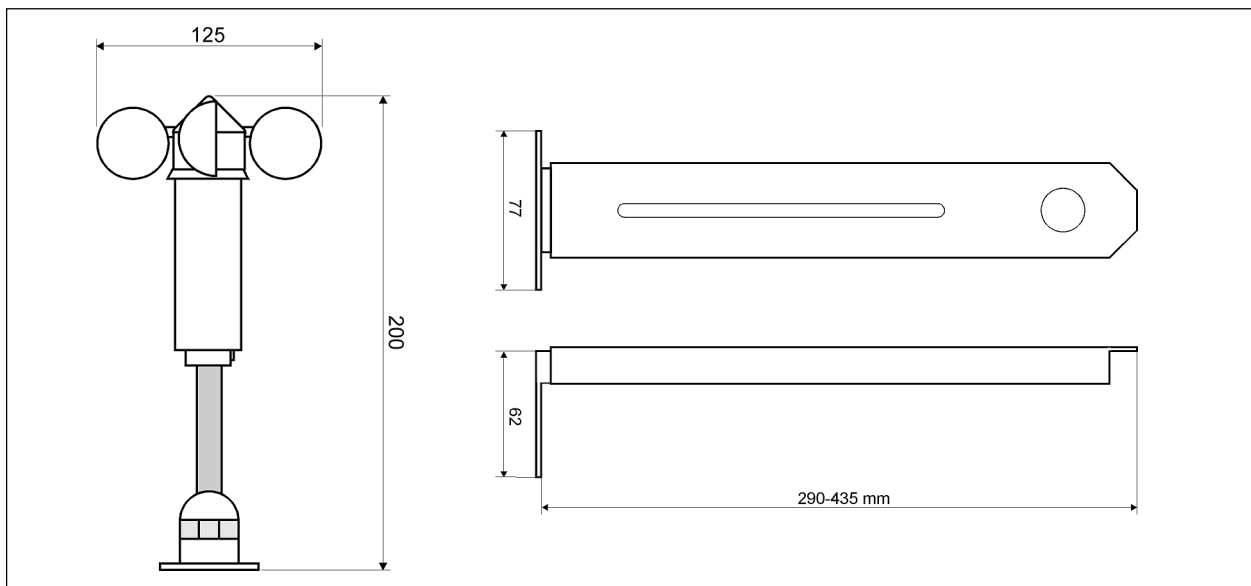
This windspeed sensor is used to measure windspeed.

When connected to a windsensor input on a Luxom module (DS10C and DS10C-CL only) actions can be processed, based on the actual windspeed.

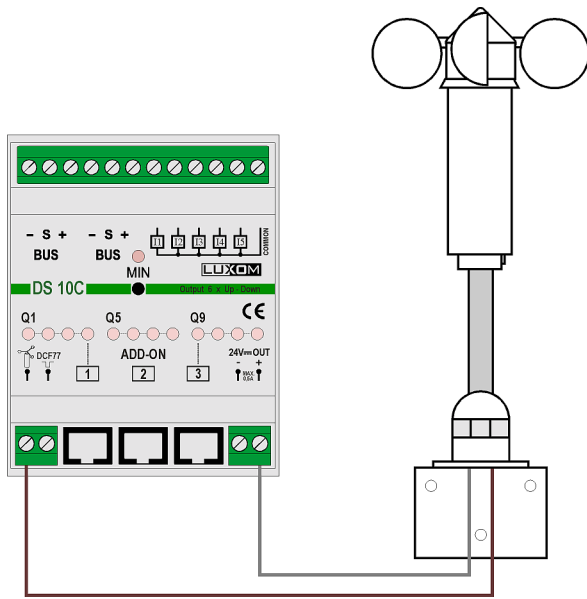
For example:

- >30km/h => Up-command sunscreen
- >80km/h => Down-command shutter
 - => storm damage protection
 - => switch fountain off

Technical Data	
Power supply	24 VDC
Cosumption	0.2 VA
Installation	Wall mounting
Rod	Aluminium - diameter 12mm
Connection cable	2-wire, length - 4.5m
Max. distance between sensor and Luxom input	50m
Warranty	12 months
Protection	IP 55
Dimensions	See image below
Amount of DIN-rail modules 18 mm	-



Connection diagram with MOTORCONTROLLER DS10C & DS10C-CL



Mounting bracket

