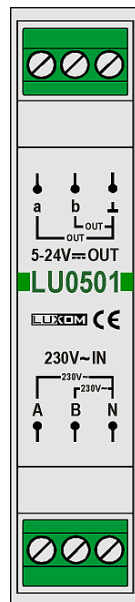


LU.0501

2 channel 230VAC converter



TECHNICAL DESCRIPTION

This module allows you to connect 230 VAC outputs on the Luxom system.

Via this module 2 outputs that provide 230VAC can be read and converted to a low voltage signal, for connection on a low voltage input.

(see connection diagram on the next page)

The low voltage signal is a NPN type and is thru an optocoupler isolated from the 230VAC.

Technical description

Product ID	-
BUS	-
Communication	-
Power supply	230 VAC
Power consumption	1.4 VA
Installation	DIN-rail mount

Functional data 230 VAC inputs

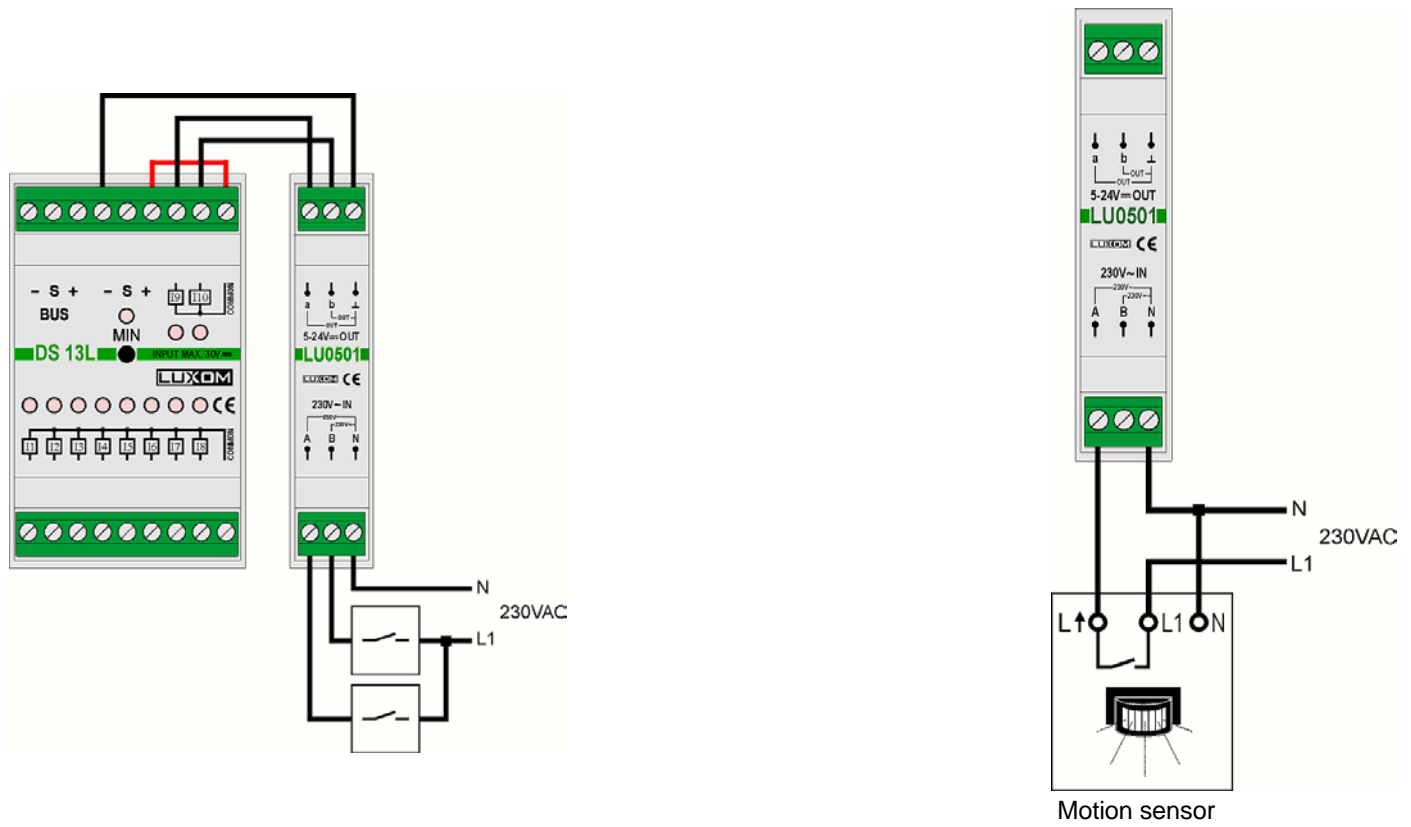
Inputs	2 (A + B)
Input type	Binary
Input voltage	230 VAC
Input current	3 mA
Common connection (N) for neutral wires	N
Maximal distance between input and contact	50 meter
Connection terminals	1.5 mm ²

Functional data outputs

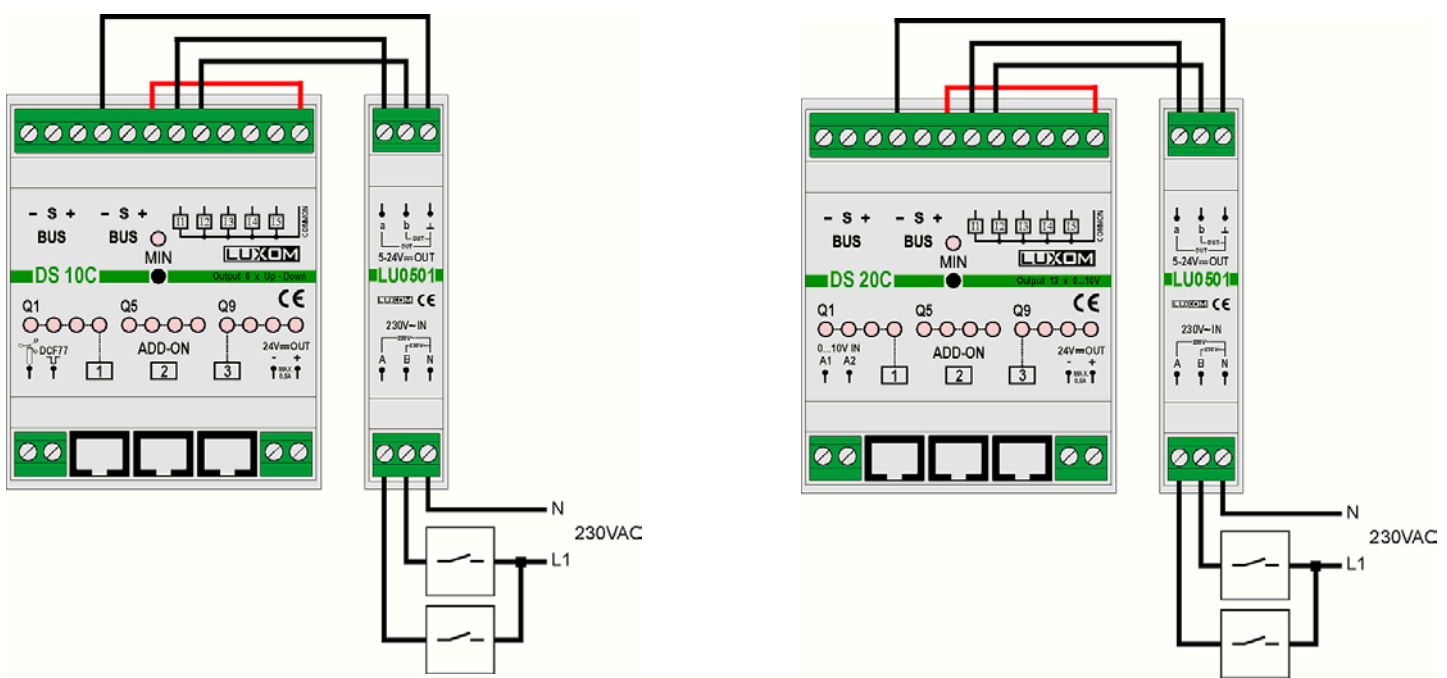
Outputs	2 (a + b)
Output type	NPN
Voltage range	5...24 VDC
Maximal output current	20 mA
Common connection	Connect to GND (-)
Isolated from the inputs thru optocoupler,	>4kV
Connection terminals	1.5 mm ²

Warrantie	1 year
Working temperature	0° to 50°C
Protection range	IP 20
Dimensions LxWxH	18 x 90 x 62 mm
Amount of DIN-rail modules	18 mm

CONNECTION DIAGRAM FOR 10 CHANNEL INPUT MODULE DS13L



CONNECTION DIAGRAM FOR CONTROLLER DS10C(-CL) and DS20C



CONNECTION DIAGRAM FOR RELAY MODULE DS04L

